

# TERRAIN FORGE

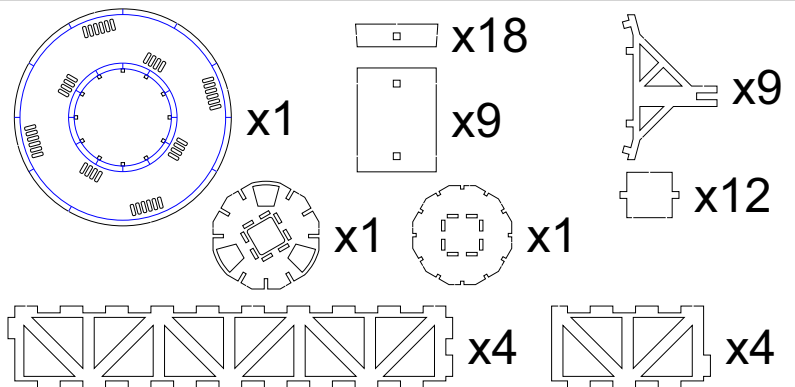
You will need:

- .Wood Glue
- .Craft Knife
- .Sandpaper

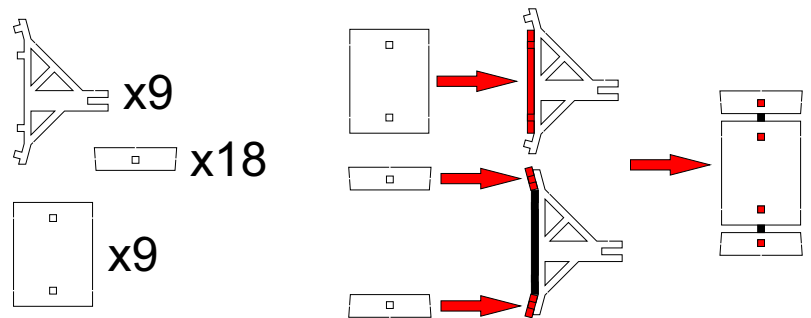
## How To Build: Broadcast Tower

Always test fit pieces before applying any glue. Lightly sand the places where you wish to apply glue, this helps to create a stronger bond between the two surfaces. Always use a strong wood glue, craft pva glue is not recommended.

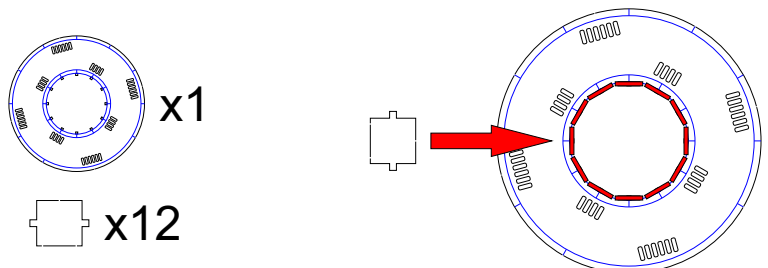
1: Carefully remove all the pieces from the sprue, making sure to be extra careful on the smaller pieces. We advise cutting the tabs with a sharp craft knife on the smaller, more delicate pieces.



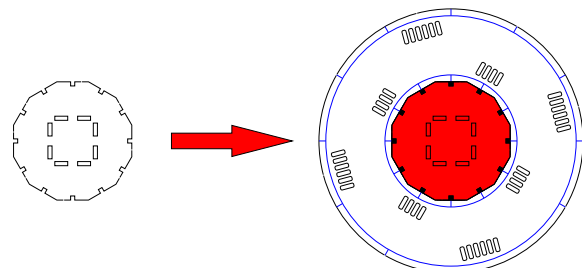
2: Take the support brackets and the panel pieces, and glue them together as shown.



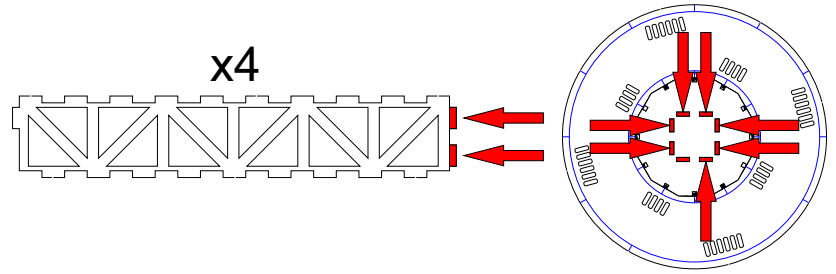
3. Next, take the base piece and all of the support panels, and glue them into the slots on the base piece.



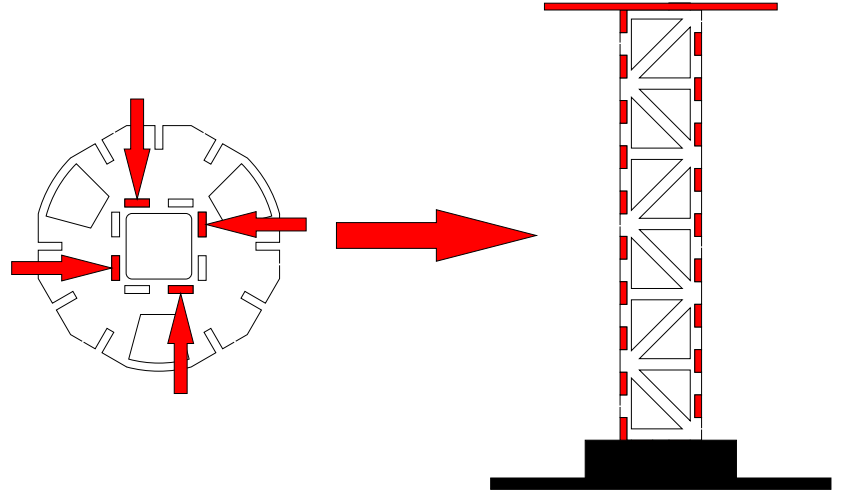
4. Now glue the upper base section onto the support panels as shown



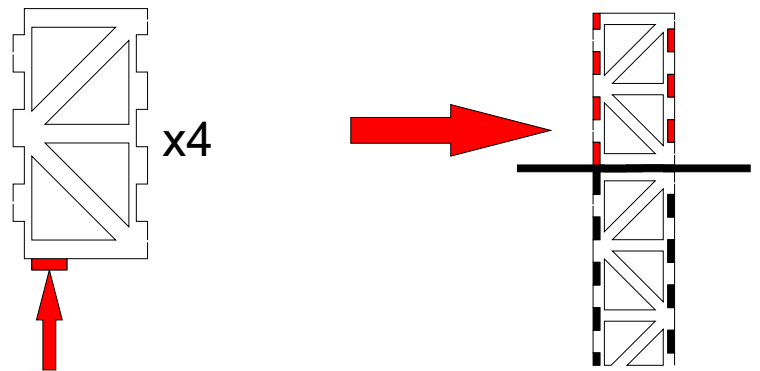
5. Now take the lower tower sections and glue them together, making sure all the double tabs are at the bottom. Then slot it onto the assembled base



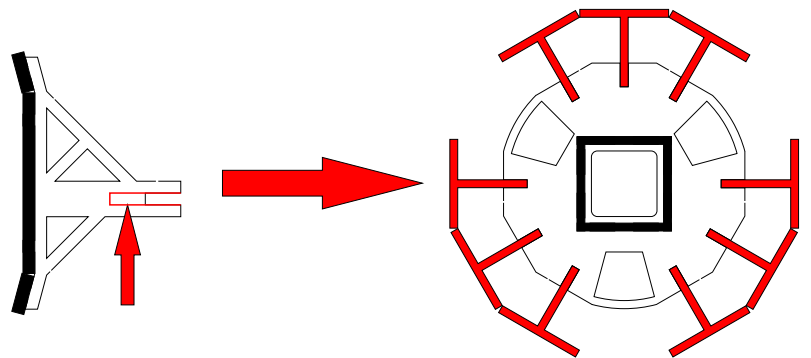
6. Now glue the platform piece onto the top of the tower



7. Take the upper tower sections, and glue them on top of the platform piece as shown



8. Now take all the panels you assembled at the start, and glue them in place on the platform. Make sure they are all the same way up as shown



9. Your broadcast tower is now complete

